

Model: PRIPORT PEARL/PEARL-MC		Date: 31-Mar-00	No: M-C229-5
Modified Article: Parts Catalog		Prepared by:	
From: Priport Service Planning Section		M. Ohtsubo	
Classification: <input type="checkbox"/> Parts catalog correction <input type="checkbox"/> Vendor change <input type="checkbox"/> To meet standards <input type="checkbox"/> To facilitate assembly <input type="checkbox"/> To improve reliability () <input type="checkbox"/> Part standardization <input checked="" type="checkbox"/> Other (New Version Machine Infomation)			
Model Name: Ricoh JP5000, Gestetner 5450, RexRotary 1560, nashuatec CP450, SVN 3350DNP			

Pearl-MC was released in March 2000 as the successor to Pearl.

The model names for Pearl-MC are the same as those for Pearl because there are no specification differences between the two models.

However, a new model code “ C233 “ has been assigned to Pearl-MC because there are some new mechanisms and some parts are not interchangeable with #C229 Pearl.

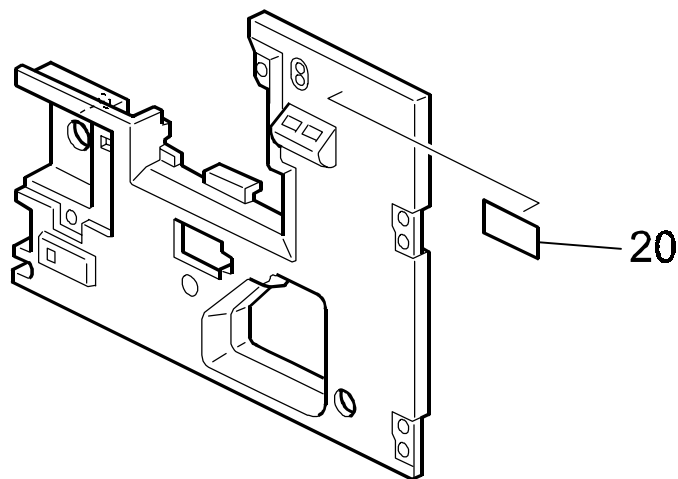
This bulletin is to inform you of all the unique parts for #C233 Pearl-MC.

Add the illustrations and lists on the following pages to the C229 parts catalog, to cover all the parts for #C233 Pearl-MC.

Model: PRIPORT PEARL/PEARL-MC	Date: 31-Mar-00	No: M-C229-5
--------------------------------------	------------------------	---------------------

Section: 1 EXTERIOR 1

Sec	Index	Parts No	Description	Q'ty	Page
1	10	C229 1341	Model Name Plate – GES 5450	1	11
1	10	C229 1342	Model Name Plate – Rex 1560	1	11
1	10	C229 1343	Model Name Plate – NSA CP450	1	11
1	10	C233 1345	Model Name Plate – SD400 STD	1	11
1	10	C229 1344	Model Name Plate – SVN 3350 DNP	1	11



Section: 2 EXTERIOR 2

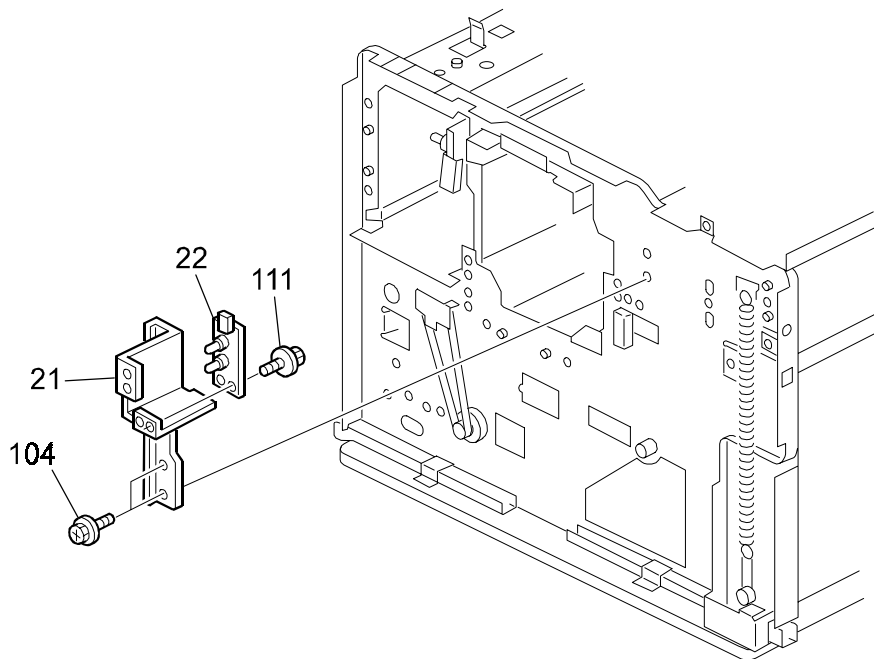
Sec	Index	Parts No	Description	Q'ty	Page
2	6	C233 1456	Operation Panel Ass'y – NA	1	13
2	6	C233 1457	Operation Panel Ass'y – EU	1	13
2	6	C233 1458	Operation Panel Ass'y – AA	1	13
2	6	C233 1459	Operation Panel Ass'y – CHN	1	13
2	*20	C233 1290	Decal – Caption LED	1	13
2	*20	C233 1291	Decal – Caption LED – CHN	1	13

*: New index numbers

Model: PRIPORT PEARL/PEARL-MC	Date: 31-Mar-00	No: M-C229-05
--------------------------------------	------------------------	----------------------

Section: 3 OPERATION PANEL

Sec	Index	Parts No	Description	Q'ty	Page
3	2	C229 1512	Online Sheet - NA	1	15
3	2	C229 1522	Online Sheet – CHN	1	15
3	2	C233 1512	Online Sheet – AA	1	15
3	2	C233 1515	Online Sheet – EU	1	15
3	11	C233 1486	Key top – Clear Modes	1	15
3	20	C232 5160	Operation Panel Board	1	15
3	-	C233 1456	Operation Panel Ass'y -NA	1	15
3	-	C233 1457	Operation Panel Ass'y - EU	1	15
3	-	C233 1458	Operation Panel Ass'y - AA	1	15
3	-	C233 1459	Operation Panel Ass'y - CHN	1	15



Section: 6 FRAME SECTION 2

Sec	Index	Parts No	Description	Q'ty	Page
6	*21	C233 5627	Bracket Circuit Board LED	1	21
6	*22	C233 5802	Circuit Board LED Ass'y	1	21
6	104	0451 4006B	Tapping Screw – 4x6	-	21
6	111	0451 3006B	Tapping screw – M3x6	-	21

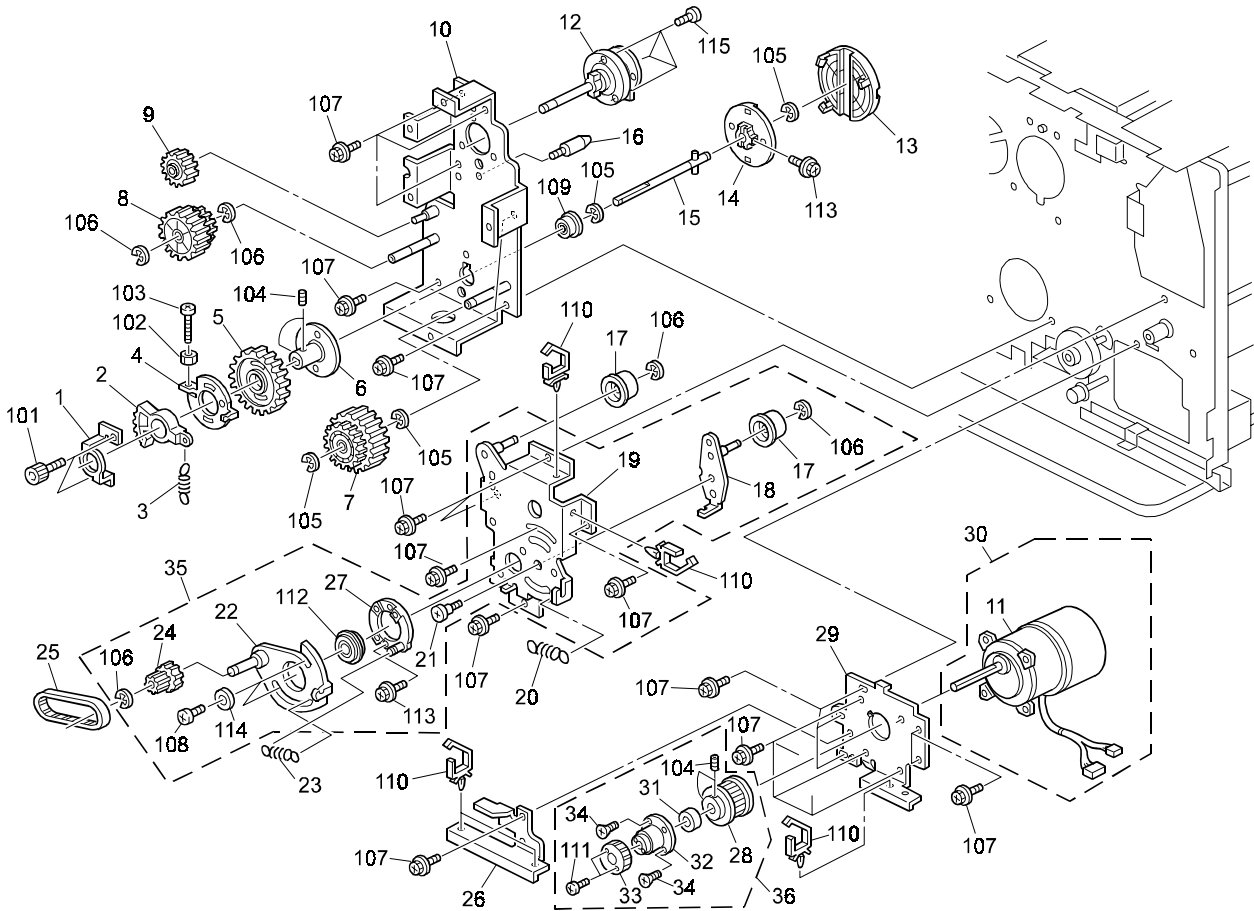
*: New index numbers



Model: PRIPORT PEARL/PEARL-MC

Date: 31-Mar-00

No: M-C229-05



NOTE: This section replaces all of the illustrations and parts in section 7. Therefore, some part numbers in the table below are also used in section 7 of the C229 parts catalog, but with different index numbers.

Section: 7 DRIVE SECTION 1

Sec	Index	Parts No	Description	Q'ty	Page
7	1	C229 3185	Gear Adjuster	1	23
7	2	C229 3183	Pressure Cylinder Sub Gear	1	23
7	3	C229 3186	Pressure Spring	1	23
7	4	C229 3184	Stopper Flange	1	23
7	5	C229 3182	Pressure Cylinder Gear	1	23
7	6	C229 3181	Adjusting Cam	1	23
7	7	C229 1198	Lower Timing Pulley - Cylinder Drive	1	23
7	8	C229 1140	Feed Roller Drive Gear	1	23
7	9	C207 4672	Gear - 36Z	1	23

Model: PRIPORT PEARL/PEARL-MC	Date: 31-Mar-00	No: M-C229-05
--------------------------------------	------------------------	----------------------

Sec	Index	Parts No	Description	Q'ty	Page
7	10	C229 1101	Drum Drive Support Plate	1	23
7	11	C229 5840	Main Motor Gear	1	23
7	12	C229 1090	Drum Drive Shaft	1	23
7	13	C233 3191	Joint Core	1	23
7	14	C229 3196	Joint Flange	1	23
7	15	C229 1028	Pressure Cylinder Drive Shaft	1	23
7	16	C229 1192	Drum Guide Pin	1	23
7	17	C229 1145	Belt Tension Roller	2	23
7	18	C229 1048	Tension Bracket	1	23
7	19	C229 1067	Tension Holder	1	23
7	20	C229 1143	Tension Spring	1	23
7	21	C201 5125	Stepped Screw - M6	1	23
7	***22	C229 1036	Drive Bracket	1	23
7	23	C229 1173	Dial Spring	1	23
7	24	C229 1151	Gear Pulley	1	23
7	25	C229 1154	Timing Belt	1	23
7	26	C229 1180	Harness Guide	1	23
7	***27	C229 1040	Bearing Holder	1	23
7	***28	C233 1074	Torque Limiter 55kgf□cm	1	23
7	***29	C229 1066	Main Motor Base	1	23
7	30	C229 5800	Main Motor - DC24V 100W	1	23
7	***31	C229 1064	Ball Bearing 68000ZZ	1	23
7	***32	C233 1079	Shielded Sleeve - torque Limiter	1	23
7	***33	C229 1039	Motor Gear	1	23
7	***34	C233 1065	Screw M3x4	1	23
7	***35	C233 1035	Torque Limiter Drive Ass'y	1	23
7	***36	C233 1036	Torque Limiter Ass'y	1	23
7	101	0595 0080E	Hexagon Bolt - M5x8	-	23
7	102	0710 0040B	Hexagon Nut - M4	-	23
7	103	0314 0160B	Philips Pan Head Screw - M4x16	-	23
7	***104	C229 1063	Hexagon Screw - M5x4	-	23
7	105	0720 0080E	Retaining Ring - M8	-	23
7	106	0720 0060E	Retaining Ring - M6	-	23
7	107	0451 4006B	Tapping Screw - 4x6	-	23

Model: PRIPORT PEARL/PEARL-MC	Date: 31-Mar-00	No: M-C229-5
--------------------------------------	------------------------	---------------------

Sec	Index	Parts No	Description	Q'ty	Page
7	***108	0951 4008B	Philips Screw With Washer - M4x8	-	23
7	109	0805 3205	Ball Bearing - 10x19x7mm	-	23
7	110	1105 0413	Harness Clamp	-	23
7	***111	0313 0120B	Philips Pan Head Screw - M3x12	-	23
7	***112	0805 3444	Ball Bearing - 25x37x7	-	23
7	113	0451 4008B	Philips Tapping Screw - M4x8	-	23
7	***114	0807 3033	Washer - M4.5	-	23

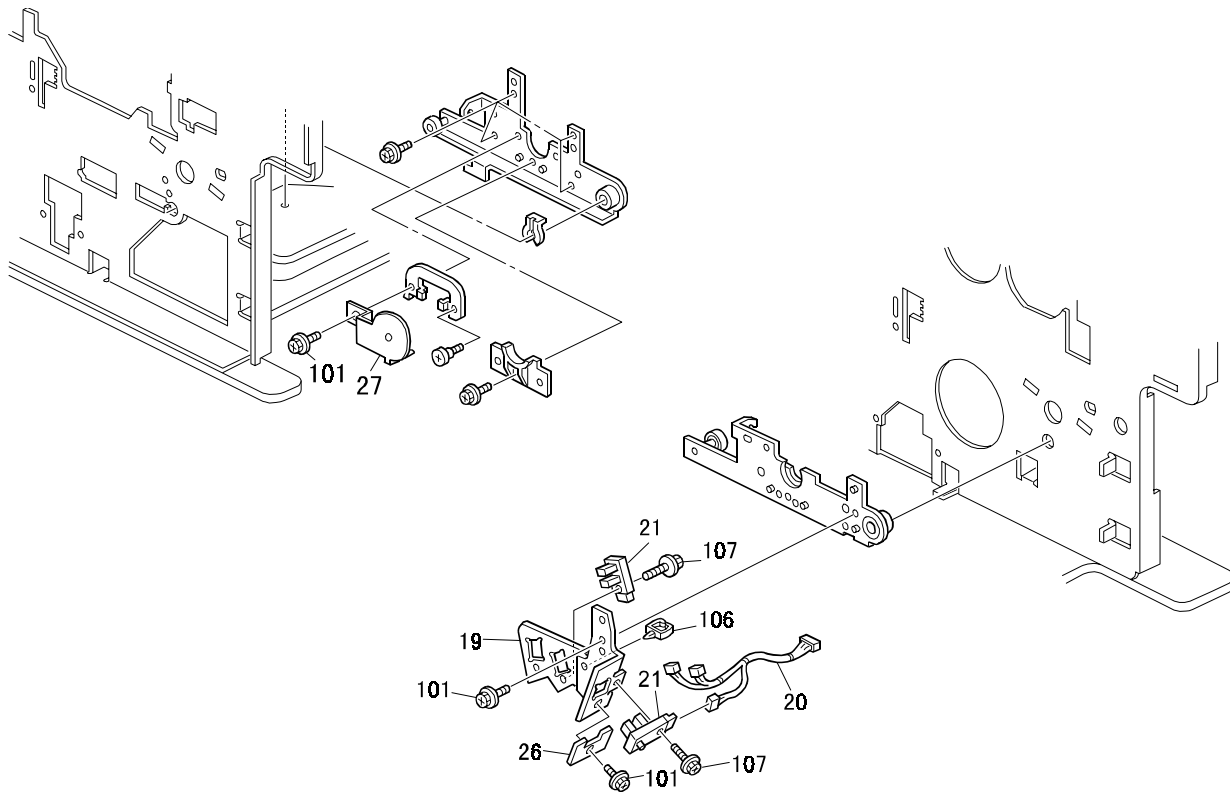
***: See note.

NOTE: Index numbers marked with *** are unique to the C233 model. All other items in this section are also used in section 7 of the C229 parts catalog with different index numbers.

Section: 15 PRESSURE CYLINDER 1

Sec	Index	Parts No	Description	Q'ty	Page
15	10	C233 3001	Pressure Cylinder Ass'y	1	39

Model: PRIPORT PEARL/PEARL-MC	Date: 31-Mar-00	No: M-C229-05
--------------------------------------	------------------------	----------------------



Section: 16 PRESSURE CYLINDER 2

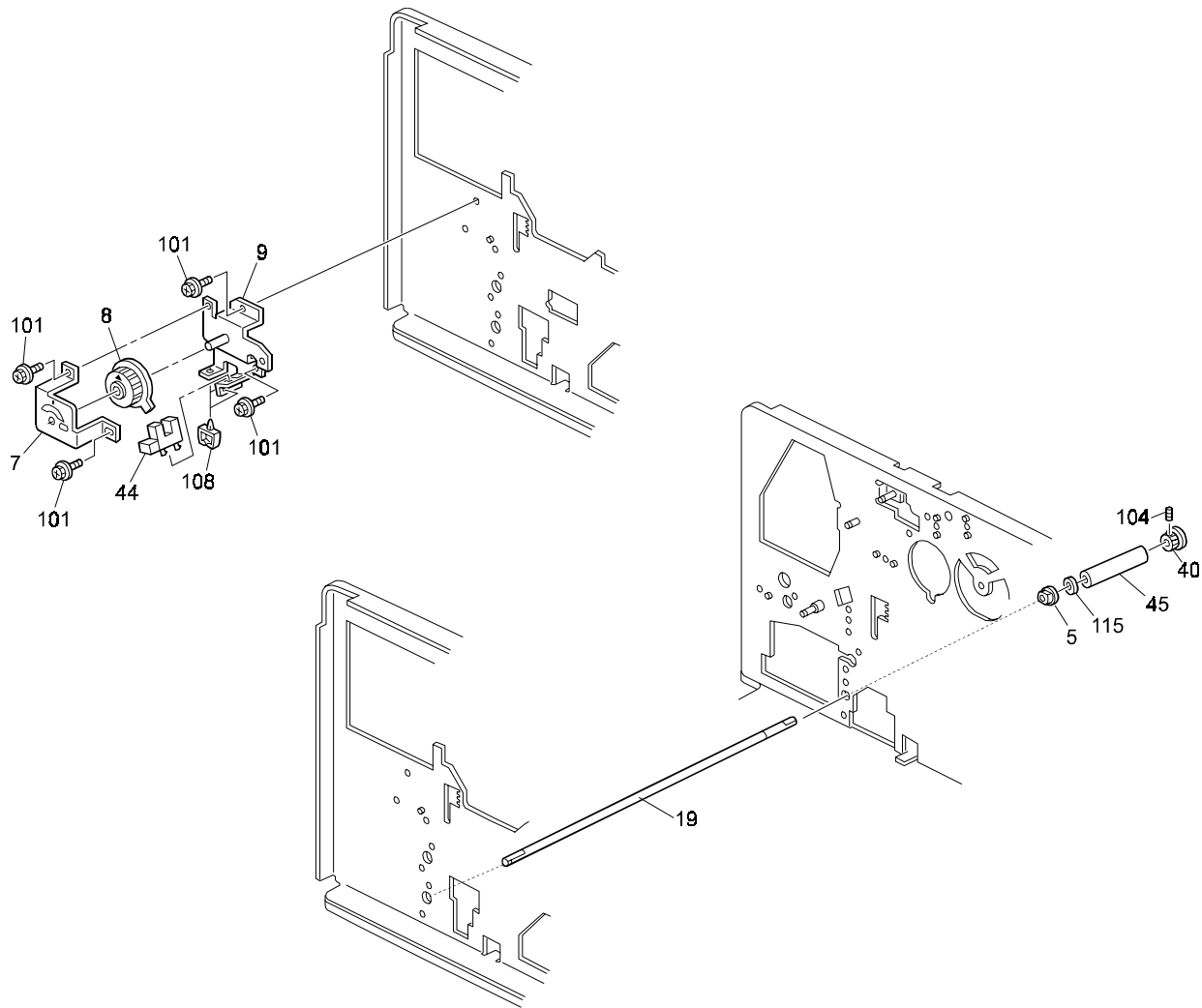
Sec	Index	Parts No	Description	Q'ty	Page
16	19	C232 3090	Feed Encoder Bracket	1	41
16	**20	C233 5226	Encoder Harness – Feed	1	41
16	21	5205 5250	LED Sensor Type S	2	41
16	*26	C232 3091	Feed Encoder Guide	1	41
16	*27	C233 3210	Pressure Cylinder Shaft Guide – Small	1	41
16	**101	0451 4006B	Tapping Screw – 4x6	-	41
16	106	1105 0199	Clamp	-	41
16	**107	0451 4010B	Tapping screw – 4x10	-	41

*: New index numbers

** : See note.

NOTE: Items marked with ** are also used in the C229 model, however they are used in new locations in the C233 model as shown in the illustration above.

Model: PRIPORT PEARL/PEARL-MC	Date: 31-Mar-00	No: M-C229-05
--------------------------------------	------------------------	----------------------



Section: 17 PRESSURE CYLINDER 3

Sec	Index	Parts No	Description	Q'ty	Page
17	5	5304 1639	Bushing – 8mm	2	43
17	7	C232 1170	Cover Dial Print	1	43
17	8	C232 1167	Pulley Ass'y	1	43
17	9	C232 1164	Bracket Dial Ass'y	1	43
17	19	C229 1043	Dial Shaft	1	43
17	40	C229 1155	Driven Shaft Gear	1	43

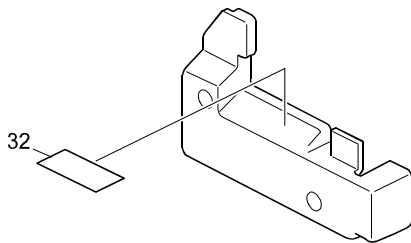
Model: PRIPORT PEARL/PEARL-MC	Date: 31-Mar-00	No: M-C229-05
--------------------------------------	------------------------	----------------------

Sec	Index	Parts No	Description	Q'ty	Page
17	*44	AW02 0075	Photointerrupter	1	43
17	*45	C229 1044	Spacer	1	43
17	101	0451 4006B	Tapping Screw – 4x6	-	43
17	104	0574 0050E	Hexagon Headless Set Screw – M4x5	-	43
17	108	1105 0199	Clamp	-	43
17	*115	0807 5037	Washer – 8.1mm	-	43

*: New index numbers

Section: 18 PAPER EXIT SECTION 1

Sec	Index	Parts No	Description	Q'ty	Page
18	13	C233 3856	Discharge Brush	1	45



Section: 23 DRUM UNIT 1

Sec	Index	Parts No	Description	Q'ty	Page
23	*32	C233 1295	Decal – Ink Supply	1	55

*: New index numbers

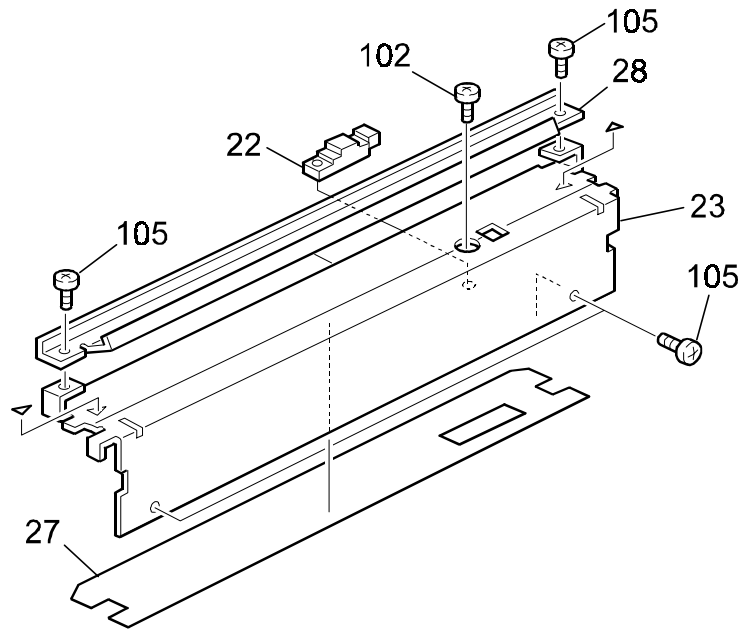
Section: 28 SCANNER UNIT 1

Sec	Index	Parts No	Description	Q'ty	Page
28	18	C232 5280	Harness – SBU	1	65

Model: PRIPORT PEARL/PEARL-MC	Date: 31-Mar-00	No: M-C229-05
--------------------------------------	------------------------	----------------------

Section: 30 PLOTTER UNIT 1

Sec	Index	Parts No	Description	Q'ty	Page
30	16	C232 1982	Potter Rear Cover	1	69
30	17	C232 2170	Rear Guide Pin – Operation	1	69
30	23	C232 2191	Pressure Spring	1	69



Section: 31 PLOTTER UNIT 2

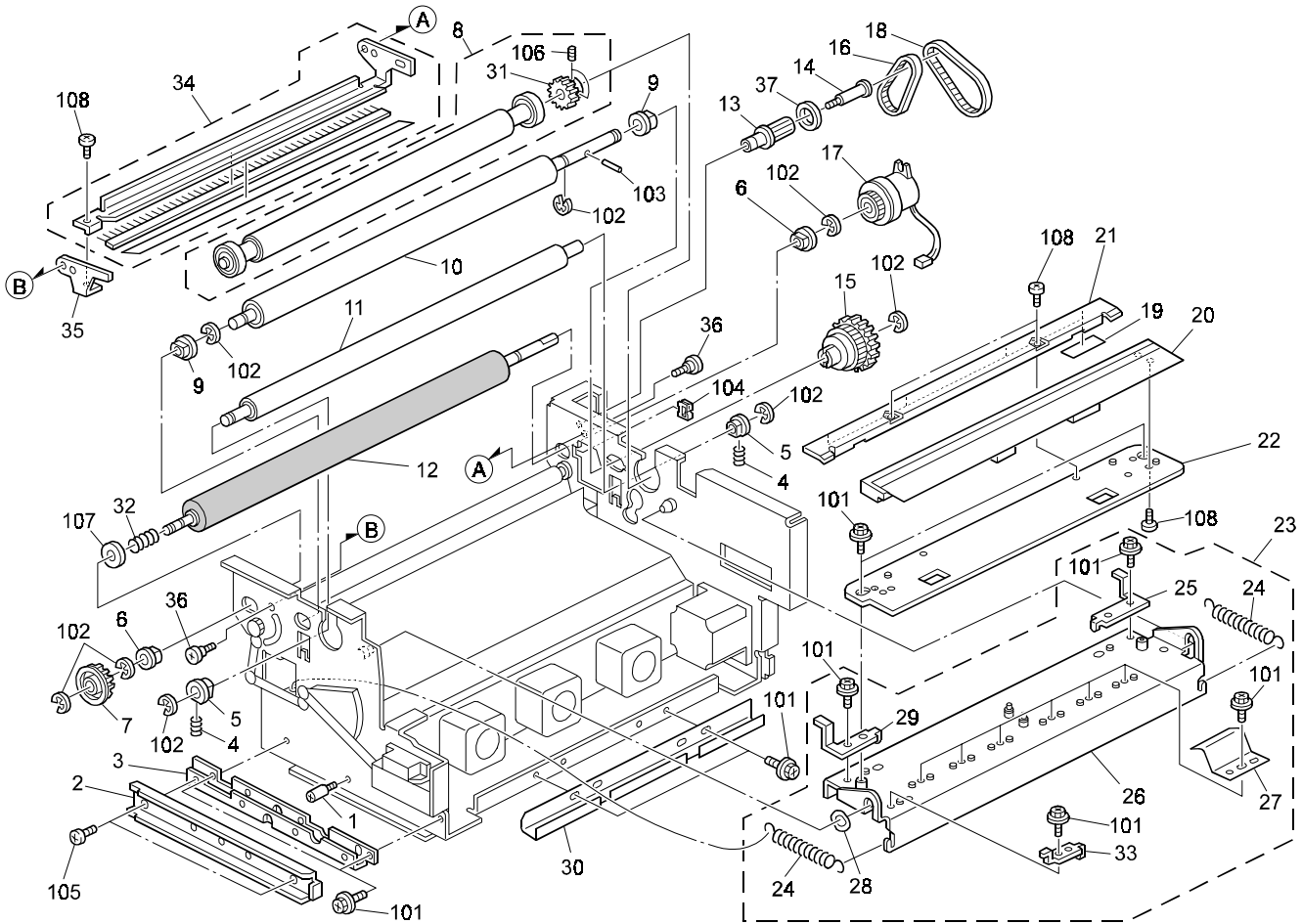
Sec	Index	Parts No	Description	Q'ty	Page
31	**22	C229 5807	Photosensor – GP2A25	1	71
31	23	C232 2135	Lower Guide Plate	1	71
31	*27	C232 2137	Master Guide	1	71
31	*28	C232 2138	Upper Guide – Master	1	71
31	**102	0353 0060B	Philips Pan Head Screw – M3x6	-	71
31	**105	0353 0040B	Screw – M3x4	-	71

*: New index numbers

** : See note.

NOTE: Items marked with ** are also used in the C229 model, however they are used in new locations in the C233 model as shown in the illustration above.

Model: PRIPORT PEARL/PEARL-MC	Date: 31-Mar-00	No: M-C229-05
--------------------------------------	------------------------	----------------------



NOTE: This section replaces all of the illustrations and parts in section 32. Therefore, some part numbers in the table below are also used in section 32 of the C229 parts catalog, but with different index numbers.

Section: 32 PLOTTER UNIT 3

Sec	Index	Parts No	Description	Q'ty	Page
32	1	C229 1994	Middle Rail Stopper Ass'y	1	73
32	2	C229 1995	Slide Rail	1	73
32	3	C229 1993	Slide Rail Spacer	1	73
32	4	C229 2004	Pressure Spring	2	73
32	***5	C229 2006	Bushing	2	73
32	6	H053 1600	Bushing - 6mm	2	73
32	7	C229 2025	Gear - 23Z	1	73
32	***8	C232 2080	Platen Roller Ass'y	1	73

Model: PRIPORT PEARL/PEARL-MC	Date: 31-Mar-00	No: M-C229-05
--------------------------------------	------------------------	----------------------

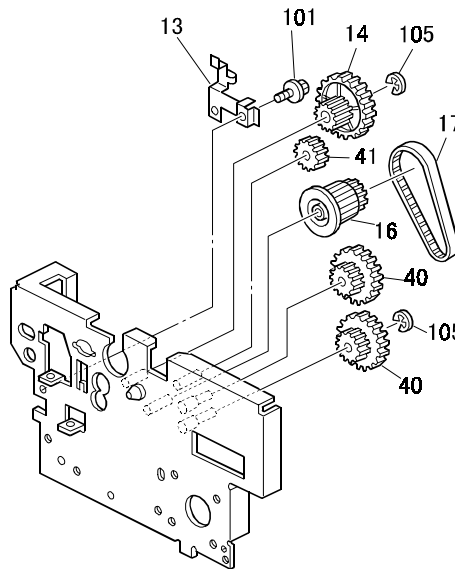
Sec	Index	Parts No	Description	Q'ty	Page
32	9	H012 1181	Bushing- 6mm	2	73
32	10	C229 2002	Upper Tension Roller	1	73
32	***11	C232 2003	Lower Tension Roller	1	73
32	***12	C232 2008	Upper Reverse Roller	1	73
32	***13	C232 2017	Idle Pulley	1	73
32	14	C229 2016	Stepped Screw	1	73
32	***15	C229 2019	Torque Limiter Gear	1	73
32	***16	C232 2019	Timing Belt - B40S2M112	1	73
32	17	C229 5810	Magnetic Clutch	1	73
32	***18	C232 2018	Timing Belt - B40S2M134	1	73
32	19	C229 2122	Right Roller Guide	4	73
32	***20	C233 5180	Thermal Head - A3	1	73
32	***21	C232 2119	Front Left Guide	1	73
32	***22	C232 2120	Spacer	1	73
32	***23	C232 2085	Thermal Head Base	1	73
32	***24	C232 2095	Torsion Spring	2	73
32	***25	C232 2097	Right Rear Release Plate	1	73
32	***26	C232 2087	Thermal Head Stay	1	73
32	***27	C232 2094	Spring Plate	6	73
32	28	C218 4038	Bushing Washer - M8	1	73
32	***29	C232 2096	Front Left Release Plate	1	73
32	30	C229 2249	Grounding Plate	1	73
32	31	C229 2082	Platen Roller Gear	1	73
32	32	C229 2010	Pressure Spring	1	73
32	***33	C232 2098	Base Stopper Bracket	1	73
32	***34	C232 2126	Guide Plate - Rear Left	1	73
32	***35	C232 2125	Guide Plate - Front Left	1	73
32	***36	C230 2178	Stepped Screw	2	73
32	***37	C232 2016	Spacer	1	73
32	101	0451 3006B	Tapping Screw – M3x6	-	73
32	102	0720 0040E	Retaining Ring – M4	-	73
32	103	0622 0100E	Spring Pin – 2x10mm	-	73
32	104	1105 0113	Edge – P108	-	73
32	105	0353 0060Z	Screw – M3X6	-	73

Model: PRIPORT PEARL/PEARL-MC	Date: 31-Mar-00	No: M-C229-05
--------------------------------------	------------------------	----------------------

Sec	Index	Parts No	Description	Q'ty	Page
32	106	0574 0040E	Hexagon Headless Set Screw – M4x4	-	73
32	107	0701 0060Z	Flat Washer – M6	-	73
32	***108	0353 0040B	Screw – M3X4	-	73

***: See note.

NOTE: Index numbers marked with *** are unique to the C233 model. All other items in this section are also used in section 32 of the C229 parts catalog but with different index numbers.



Section: 33 PLOTTER UNIT 4

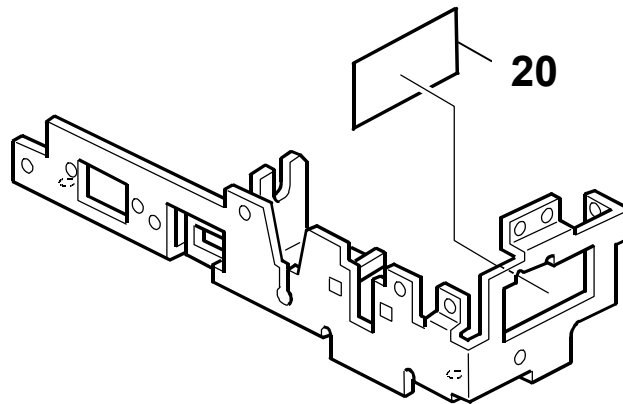
Sec	Index	Parts No	Description	Q'ty	Page
33	6	C232 5248	Plotter Harness	1	75
33	13	C229 2254	Harness Cover	1	75
33	14	C232 2022	Platen Idle Gear	1	75
33	16	C232 2021	Motor Pulley	1	75
33	17	C232 2222	Timing Belt – B101MXL9.5	1	75
33	18	C232 1961	Rear Side Plate	1	75
33	28	C232 1951	Front Side Plate	1	75
33	*40	C232 2023	Gear – 17/34Z	2	75
33	*41	C232 2024	Gear – 16Z	1	75
33	101	0451 3006B	Tapping Screw – M3x6	-	75
33	105	0720 0040E	Retaining Ring – M4	-	75

*: New index numbers

Model: PRIPORT PEARL/PEARL-MC	Date: 31-Mar-00	No: M-C229-05
--------------------------------------	------------------------	----------------------

Section: 37 ELECTRICAL SECTION 1

Sec	Index	Parts No	Description	Q'ty	Page
37	2	C232 5618	Upper Bracket	1	83
37	3	C233 5114	Program MPU	1	83
37	4	C232 5616	PCB Bracket	1	83
37	6	C233 5101	MPU Board	1	83
37	7	C232 5115	I/O Control Board	1	83
37	9	C232 5124	IC - 512K X8 100NS	1	83
37	10	C232 5200	DC Drive Harness	1	83
37	12	C232 5300	DC Power Supply Unit - 120V	1	83
37	12	C232 5320	DC Power Supply - 220V	1	83
37	17	C232 5310	Thermal Head Power Supply - 115V	1	83
37	17	C232 5330	Thermal Head Power Supply - 230V	1	83



Section: 38 ELECTRICAL SECTION 2

Sec	Index	Parts No	Description	Q'ty	Page
38	*20	C232 5610	Seal	1	85

*: New index numbers

Model: PRIPORT PEARL/PEARL-MC**Date:** 31-Mar-00**No:** M-C229-05**Section: 42 DECAL AND DOCUMENT**

Sec	Index	Parts No	Description	Q'ty	Page
42	5	C229 8606	Operating Instructions – Chinese (Ricoh)	1	97
42	5	C229 8696	Operating Instructions – Chinese (NRG)	1	97
42	5	C233 8690	Operating Instructions – English EU (NRG)	1	97
42	5	C233 8608	Operating Instructions – English AA (RIC)	1	97
42	5	C233 8607	Operating Instructions – English UAS (RIC)	1	97
42	5	C233 8697	Operating Instructions – English USA (Gestetner/Savin)	1	97
42	5	C233 8698	Operating Instructions – English USA (Standard)	1	97

Model: PRIPORT PEARL/PEARL-MC	Date: 31-Mar-00	No: M-C229-05
--------------------------------------	------------------------	----------------------

CUT IN SERIAL NUMBERS (START SERIAL NUMBERS)

Model Name	V/Hz	Destination	Code	Serial Number
Standard SD400	120/60	USA, Canada	C233-11	C385 0030001
Ricoh JP5000	120/60	USA, Canada	C233-17	C376 0030001
Ges 5450, Rex 1560, Nsa CP450	230/50	Europe, etc.	C233-22	C378 0030001
Ricoh JP5000	230/50	China	C233-26	C376 0043xxx *No production yet
Ricoh JP5000	230/50	Europe, etc.	C233-27	C376 0036001
Ges 5450, Rex 1560, Nsa CP450	230/50	China	C233-28	C379 0030003
Ricoh JP5000	230/50	Asia, etc.	C233-29	C376 0039001
Ges 5450, Rex 1560, Nsa CP450, Savin 3350DNP	120/60	USA, Canada	C233-51	C377 0030001
Ricoh JP5000	120/60	USA, Canada	C229-17	Discontinued in February 2000
Ges 5450, Rex 1560, Nsa CP450	230/50	Europe, etc.	C229-22	Discontinued in February 2000
Ricoh JP5000	230/50	China	C229-26	Discontinued in February 2000
Ricoh JP5000	230/50	Europe, etc.	C229-27	Discontinued in February 2000
Ges 5450, Rex 1560, Nsa CP450	230/50	China	C229-28	Discontinued in February 2000
Ricoh JP5000	230/50	Asia, etc.	C229-29	Discontinued in February 2000
Ges 5450, Rex 1560, Nsa CP450, Savin 3350DNP	120/60	USA, Canada	C229-51	Discontinued in February 2000